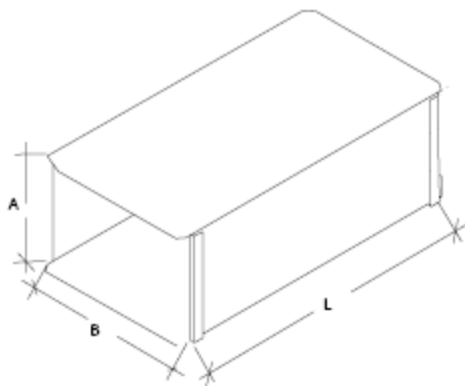


# M A N A R A

## RECTANGULAR DUCT



RECTANGULAR DUCT					
QTY	A	B	L	GA	NOTES